

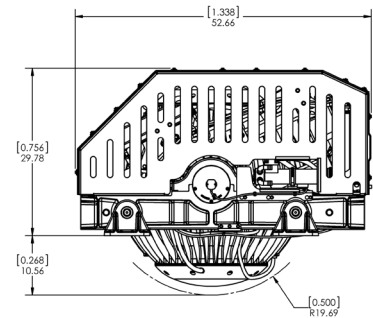
The Seakeeper 20HD is optimized to eliminate up to 95% of boat roll on boats 65-74 feet, up to 60 tons. Unlike traditional external fins, the Seakeeper 20HD requires only modest electrical power and has no external appendages, and can be installed virtually anywhere on board.



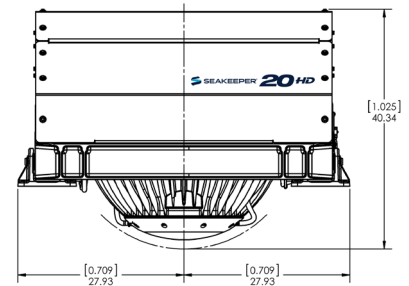
TECH SPECS

Rated Speed	3,850 RPM
Angular Momentum at Rated RPM	20,000 N-M-S
Anti-Rolling Torque at Rated RPM	43,076 N-M
Spool-up Time to Rated RPM	70 minutes (3,850 RPM)
Spool-up Time to Stabilization	50 minutes (3,100 RPM)
Spool-up Power	
AC Motor	3000 Watts Max
DC Control	240 Watts
Operating Power	
AC Motor (sea state dependent)	1000 - 3000 Watts
DC Control	240 Watts
AC Input Voltage	208 - 230 VAC (+/- 10%), 50/60 Hz, Single Phase
DC Input Voltage	24 VDC @ 10 Amps
Weight	2,960 lbs (1,342 kg)
Envelope Dimensions	Length x Width x Height 52.7 L x 55.9 W x 40.4 H (inches) 1.34 L x 1.42 W x 1.03 H (meters)
Noise Output	72-74 dBC at 1 meter

PORT VIEW



FRONT VIEW



TOP VIEW

