

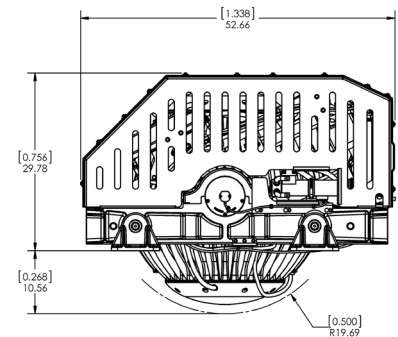
Designed to eliminate up to 95% of boat roll, the Seakeeper 26 is sized for vessels between 70' and 84', up to 75 tons. Unlike traditional external fins, the Seakeeper 26 has no outside appendages, requires only modest electrical power, and can be installed virtually anywhere on board.



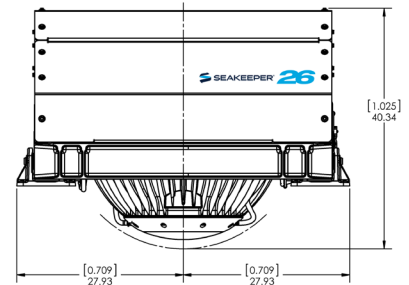
TECH SPECS

Rated Speed	5,000 RPM
Angular Momentum at Rated RPM	26,000 N-M-S
Max Anti-Rolling Torque at Rated RPM	56,000 N-M
Spool-up Time to Rated RPM	90 minutes (5,000 RPM)
Spool-up Time to Stabilization	70 minutes (4,250 RPM)
Spool-up Power	
AC Motor	3000 Watts Max
DC Control	240 Watts
Operating Power	
AC Motor (sea state dependent)	1000 - 3000 Watts
DC Control	240 Watts
AC Input Voltage	208 - 230 VAC (+/-10%), 50/60 Hz, Single Phase
DC Input Voltage	24 VDC @ 10 Amps
Sea Water Supply to Heat Exchanger	30 LPM (8 GPM) Maximum 15 LPM (4 GPM) Minimum
Ambient Air Temperature	0° - 60° C (32° - 140° F)
Weight	2,960 lbs (1,342 kg) Bolt-in Installation
Envelope Dimensions	Length x Width x Height 52.7 L x 55.9 W x 40.4 H (Inches) 1.34 L x 1.42 W x 1.03 H (Meters)
Noise Output	At full operating RPM, steady state noise measured in the factory at a 1 meter distance measures 72 - 74 dBC. (Sound levels may be higher during spool-up)

PORT VIEW



FRONT VIEW



TOP VIEW

