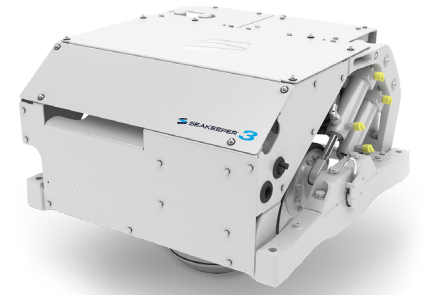


They say great things come in small packages and we set out to prove it. The Seakeeper 3 is our biggest smallest thing yet, specially designed to eliminate roll on 30'-39' boats. Refits have never been easier than with the Seakeeper 3's leaning post installation option!

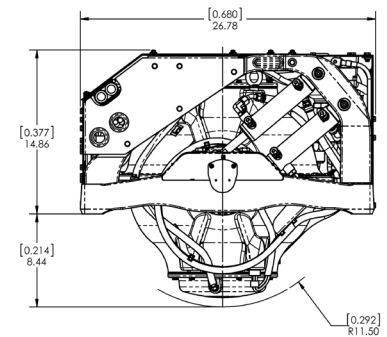


TECH SPECS

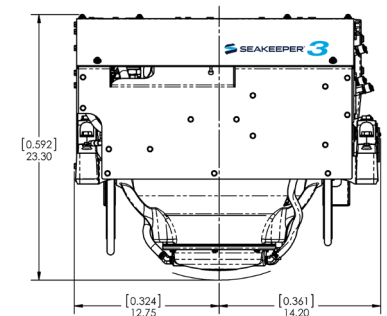
Rated Speed	8,450 RPM
Angular Momentum at Rated RPM	3,000 N-M-S
Max Anti-Rolling Torque at Rated RPM	7,854 N-M
Spool-up Time to Rated RPM	50 minutes (8,450 RPM)
Spool-up Time to Stabilization	36 minutes (7,185 RPM)
DC Input Voltage	12 VDC @ 85 Amps
Spool-up Power	
DC	1,000 Watts Max
Operating Power	
DC	400 - 900 Watts (Sea State Dependent)
Sea Water Supply to Heat Exchanger	2 - 6 Gal/Min.
Ambient Air Temperature	0° - 60° C (32° - 140° F)
Weight	550 lbs (249 kg)
Envelope Dimensions	Length x Width x Height 26.8 L x 27.0 W x 22.5 H (Inches) 0.681 L x 0.686 W x 0.572 H (Meters)
Noise Output	<72 dBC at 1 meter

* Preliminary - Subject to Change

PORT VIEW



FRONT VIEW



TOP VIEW

