

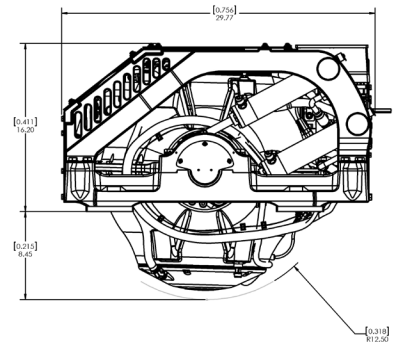
Designed to eliminate up to 95% of boat roll on ~35'- 44' vessels, up to ~15 tons, the Seakeeper 5HD is completely internal, requires only modest electrical power, and can be installed virtually anywhere on board.



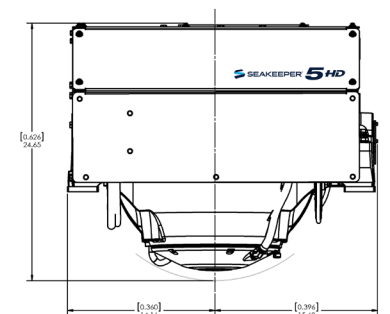
TECH SPECS

Rated Speed	8,100 RPM
Angular Momentum at Rated RPM	5,000 N-M-S
Anti-Rolling Torque at Rated RPM	13,075 N-M
Spool-up Time to Rated RPM	35 minutes (8,100 RPM)
Spool-up Time to Stabilization	22 minutes (6,885 RPM)
Spool-up Power	
AC Motor	2300 Watts Max
DC Control	125 Watts
Operating Power	
AC Motor (sea state dependent)	1050 - 2300 Watts Max
DC Control	125 Watts
AC Input Voltage	110 - 230 VAC (+/- 10%), 50/60 Hz Single Phase
DC Input Voltage	12 VDC @ 15 Amps
Sea Water Supply to Heat Exchanger	30 LPM (8 GPM) maximum 15 LPM (4 GPM) minimum
Ambient Air Temperature	0° - 60° C (32° - 140° F)
Weight	870 lbs (395 kg)
Envelope Dimensions	Length x Width x Height 29.77 L x 29.71 W x 24.65 H (inches) 0.756 L x 0.755 W x 0.626 H (meters)
Noise Output	At full operating RPM, steady state noise measured in the factory at a 1 meter distance measures 70 - 75 dBC. (Sound levels may be higher during spool-up)

PORT VIEW



FRONT VIEW



TOP VIEW

